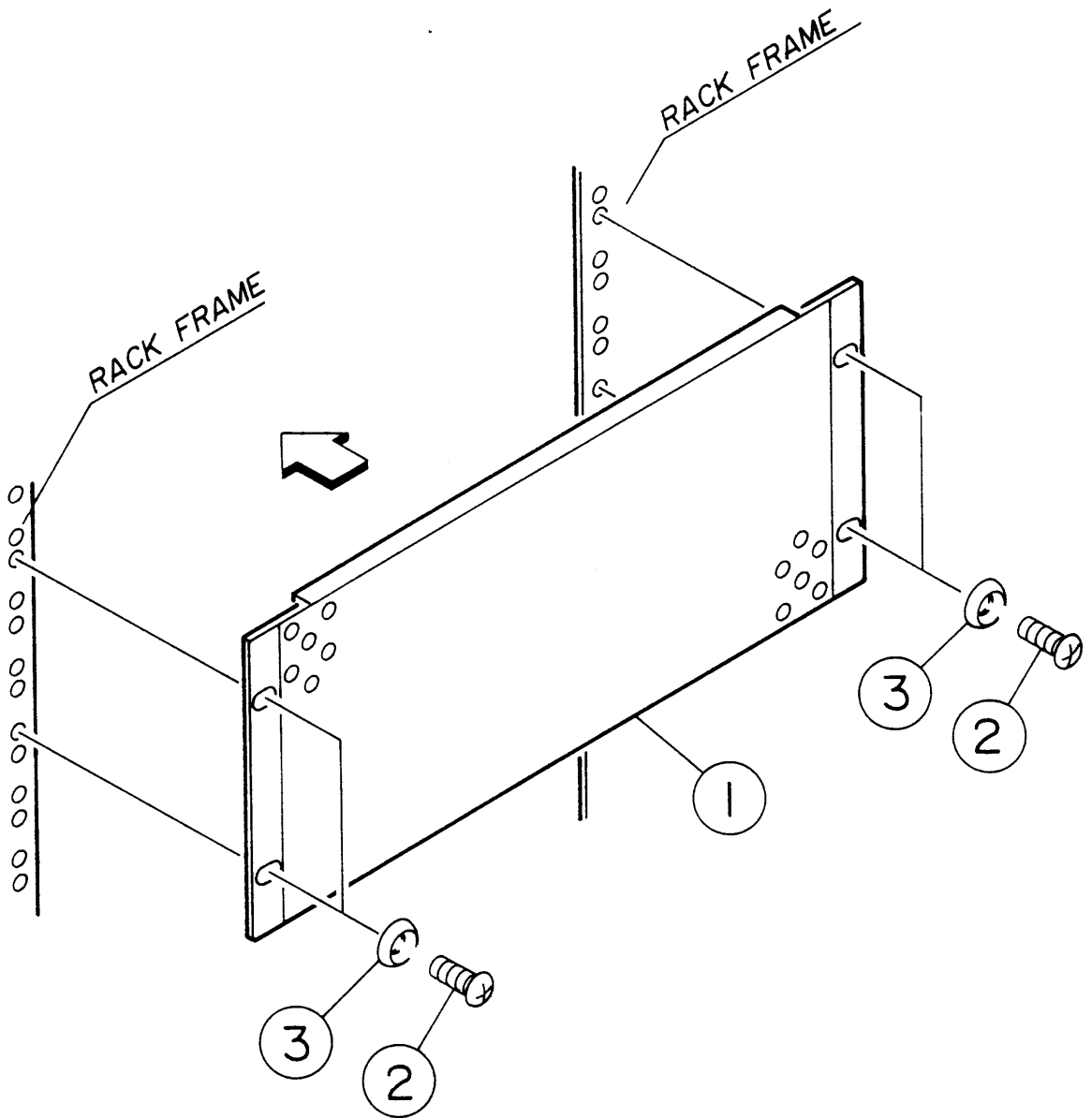


BLANK PANEL BPI94-M



| NO. | DESCRIPTION | QTY | CODE NO. |
|-----|---------------------------------|-----|------------|
| 1 | BLANK PANEL BPI94-M | 1 | A4-913-401 |
| 2 | SCREW, OVAL HEAD M5x0.8x12 B-NI | 4 | M2-002-181 |
| 3 | FINISHING WASHER 5CW | 4 | M5-003-031 |